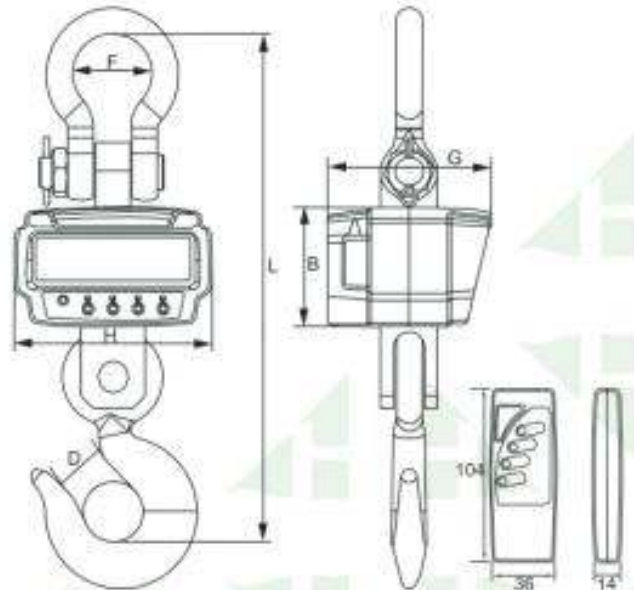




## XZ系列 Series

单位(unit):mm



kN  
lb kg



Remote Control  
遥控器(选配)



P] Indicator Selectable  
手触型

### 产品特点

- 新颖的铝镁合金压铸外壳，小巧坚固
- 5位LED数码显示，字高40mm，超高亮设计
- 标配红外遥控器，通过遥控实现暂留，去皮，归零，累计功能
- 优化的设计方案，简单升级后可绑定无线P]]仪表，实现无线数传功能的跨越

### 技术指标(Technical Parameter)

- 执行标准 (Executive Standard) GB/T 11883-2002
- 精度等级 (Accuracy) 3) 符合OIML R76标准
- 稳定时间 (Time to Stable Reading) <math>\leq 8s</math>
- 安全过载 (Maximum Safe Load) 125%F.S.
- 极限载荷 (Limited Overload) 400%F.S.
- 过载报警 (Overload Alarm) 100%F.S. +9e
- 储存环境 (Surrounding) -20°C - 60°C
- 工作温度 (Operating Temperature) -10°C - 40°C

### Features

- Aluminum diecasting alloy housing with strength and pleasant appearance
- Super bright 5 digit red LED display with 40mm height
- Infrared control with Peak Hold, Tare, Zero, Total function
- Optimized design, wireless palm indicator optional after upgrading

规格量程 Max Capacity	分度值 Division	B	H	L	F	G	D
1000kg	0.5/0.2kg	119	119	398	76	163	34
2000kg	1/0.5kg	119	119	398	76	163	34
3000kg	1/0.5kg	119	198	445	76	163	40
5000kg	2/1kg	119	198	511	80	163	48
10000kg	5/2kg	125	210	554	90	180	52
15000kg	10/5kg	135	220	685	135	190	60